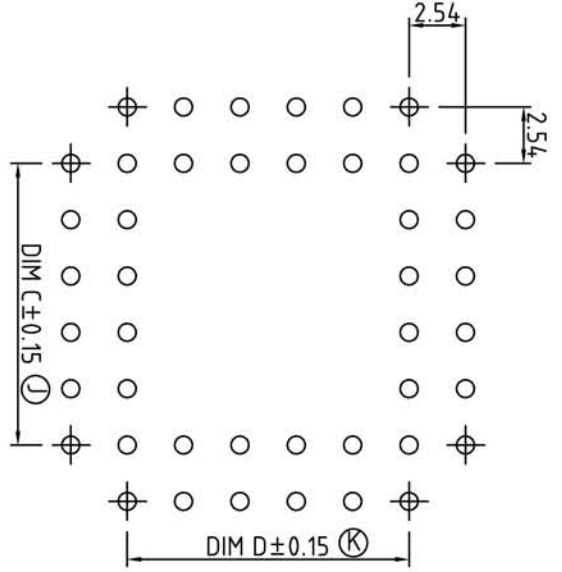


SIGN	DATE	DESCRIPTION	APPROVER
Δ		THIS IS CAD DRAWING, DO NOT REVISE MANUALLY!!!	



P.C.B Layout

MAETRIAL:

CONTACT : PHOSPHOR BRONZE  
 SURFACE CONTACT : TIN ALLOY PLATED  
 INSULATOR : PPS RYTON R-4 UL-94V-0

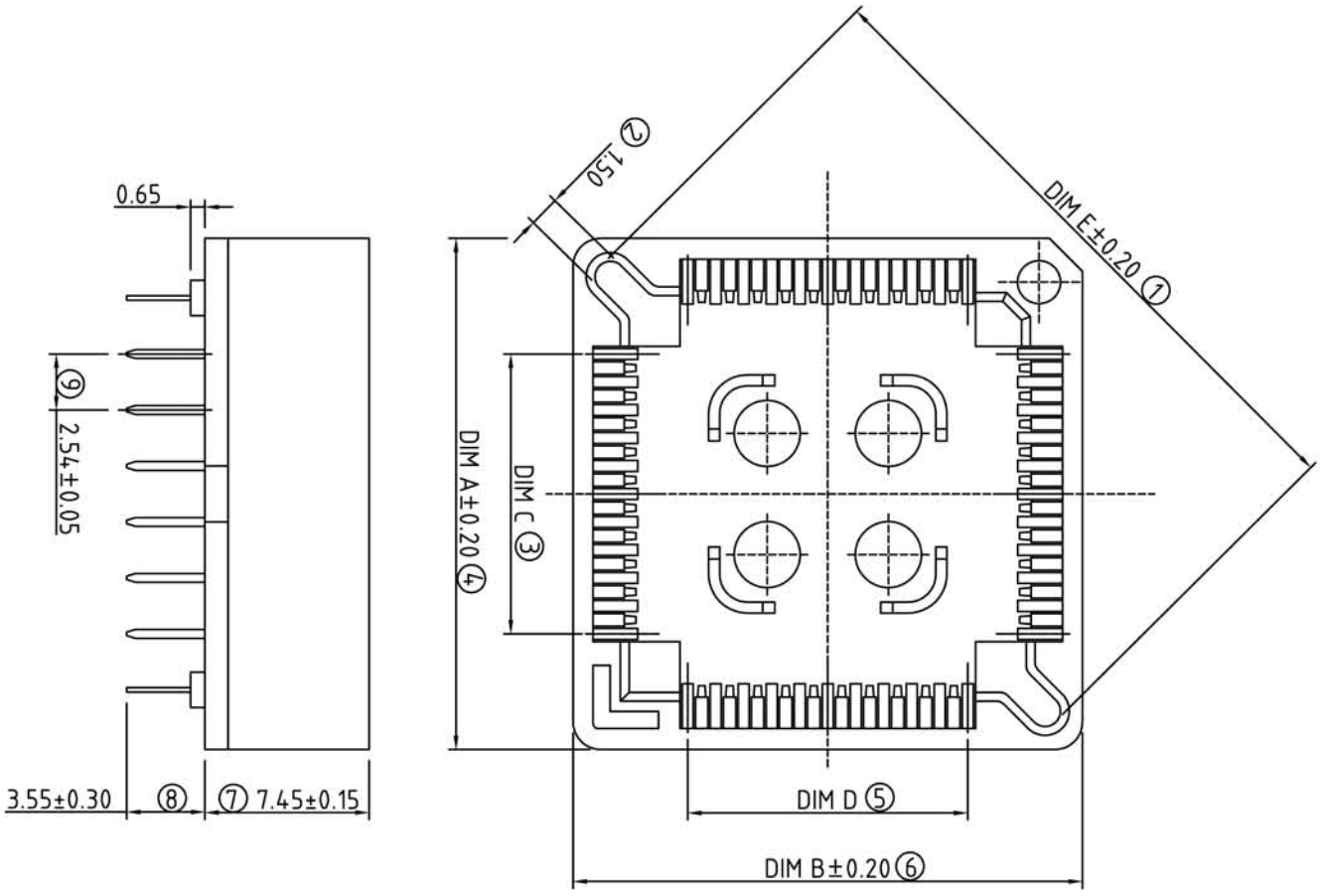
ELECTRICAL:

CURRENT RATING : 2AMP CONTINUOUS  
 CONTACT RESISTANCE : 20mΩ OHMS ( MAX )  
 INSULATOR RESISTANCE : 5000MΩ at 500VAC  
 Contact pressure: min 15N per contact  
 Capacitance: max 2pF

MECHANICAL:

OPERATING TEMPERATURE : -65± TO +125±  
 VIBRATIONS : 1 MICRO SECOND WITHOU INTERRUPTION  
 DURAVILITY : 50 CYCLES

NO OF CONTACT	DIMA	DIMB	DIMC	DIMD	DIME
20P	15.58	15.58	5.08	5.08	18.81
28P	18.12	18.12	7.62	7.62	22.40
32P	18.12	20.66	7.62	10.16	24.20
44P	23.20	23.20	12.70	12.70	29.40
52P	25.74	25.74	15.24	15.24	33.10
68P	30.82	30.82	20.32	20.32	40.20
84P	35.90	35.90	25.40	25.40	47.60



TITLE: PLCC DIP Solder series

PART NO.	LAXX0X10000005	DWG NO.	BLA0001
APPROVED	CHECKED	DESIGNED	DRAWN
	Aaron 2005.06.08	Aaron 2005.06.08	
CUST NO.		UNIT:	mm
		SCALE:	NONE
SHEET: 01/01		REV:	B
		Tolerance	X. ±0.50 XX ±0.30 XXX ±0.10 X* ±

CUSTOMER COPY

ALL RIGHTS RESERVED. REPRODUCTION OR ISSUE TO THIRD PARTIES IN ANY FORM WHATSOEVER IS NOT PERMITTED WITHOUT WRITTEN AUTHORITY FROM THE PROPRIETOR. PROPERTY OF ANYTEK TECHNOLOGY CO. LTD